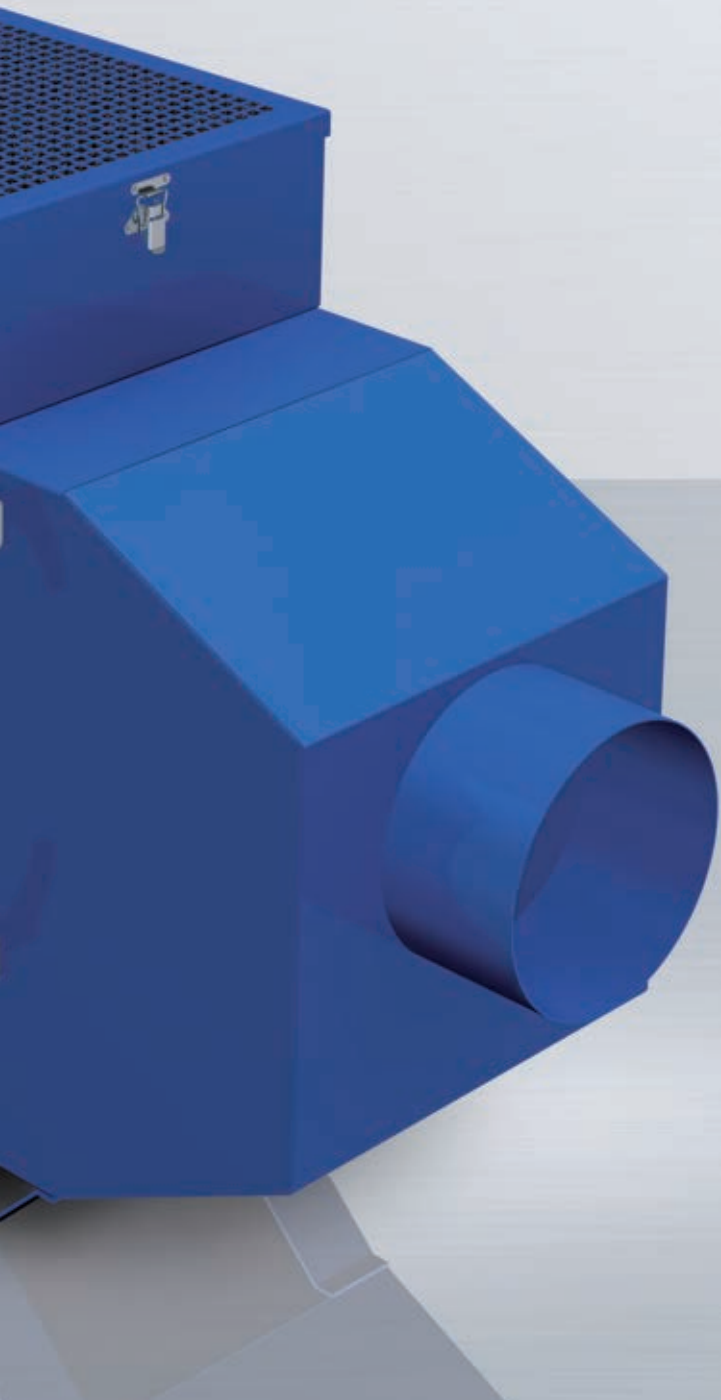




X-CYCLONE® C Series

Compact air cleaners for water-based aerosols



REVEN®
X-CYCLONE
Air Cleaner
Luftreiniger



RANGE OF APPLICATION

Cleaning of the exhaust air from processing machines, coating plants or food-processing lines. Separation of water-based aerosols such as cooling lubricants or spray mist.

TECHNICAL HIGHLIGHTS

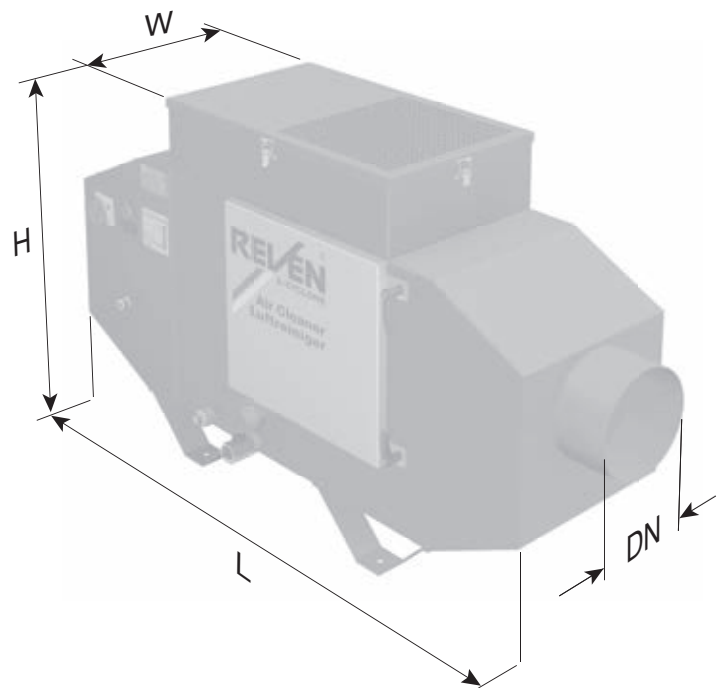
- Patented high-performance X-CYCLONE® separating system with an efficiency rate of up to 99.9999 %.
- Sustainable air-cleaning concept thanks to the use of cleanable separators.
- Fan impeller and motor with energy-efficient eco-design in accordance with the European Directive on Energy-related Products (ErP). Energy-saving potential of up to Euro 2,000 per year compared to traditional air cleaners.
- Efficiency and function of the air cleaner proven by CFD flow analysis.
- Flame-arresting X-CYCLONE® basic elements, tested in accordance with UL 1046, ULC-S 649, JFEA, DIN 18869-5 and DIN EN 16282.
- Agglomeration system made of stainless steel, suitable for the removal of PM2.5.
- Enclosure 100 % rustproof in accordance with the requirements of the German trademark association for stainless steel Warenzeichenverband Edelstahl Rostfrei e.V.
- Intelligent functional display.
- Designed, constructed and produced in Germany.
- State-of-the-art design protected by international design patent rights.



- Lifetime guarantee on the X-CYCLONE® basic separator elements and the corrosion resistance of the enclosure.

ACCESSORIES

- Digital fan module with USB interface for motor control and diagnosis.
- EUREVEN® F2011 filter made of moisture-repelling, synthetic material, easy to clean; suitable for low smoke generation.
- REVEN® Pipe.
- Particulate air filter top unit, suitable for high smoke generation.
- Honeycomb agglomerator, suitable for high steam concentrations.
- Chip protection, activated carbon filter and bag filter.
- Extraction hoses, collecting hoods and brackets.



TECHNICAL DATA – X-CYCLONE® C SERIES

Type of device	Extraction volume [m³/h]		Electrical data						Dimensions				Weight [kg]
			Voltage [V]		Current [A]		Power [W]		Length [mm]	Width [mm]	Height [mm]	Connecting diameter DN [mm]	
			50 Hz	60 Hz	50 Hz	60 Hz	50 Hz	60 Hz					
1*	2*	50 Hz	60 Hz	50 Hz	60 Hz	50 Hz	60 Hz	Length [mm]	Width [mm]	Height [mm]	Connecting diameter DN [mm]	Weight [kg]	
C-1	500	1000	1~230	1~115	1.10	2.50	157	160	1016	360	765	150	40
C-2	800	1500	3~400	3~230	1.00	1.70	250	360	1065	360	765	150	46
C-3	1200	2600	3~400	3~230	1.75	3.00	500	810	1200	370	765	200	54
C-4	1700	4000	3~400	3~230	3.30	5.70	880	1500	1250	450	845	200	78
C-5	2500	4500	3~400	3~230	4.40	7.60	970	1710	1280	550	925	300	110
C-6	4000	6800	3~400	3~230	5.90	10.10	1820	3000	1300	655	1045	300	152
C-7	5000	10500	3~400	3~230	7.70	13.40	3380	4200	1400	820	1205	400	240

1* Extraction volume when connected to the extraction system with filter installed.

2* Extraction volume in unconnected, free-blowing state without filter.